

Lifo®

EXHAUST FAN

Breathe smart, live comfort.




The Lifo CV and PV series Exhaust Fans deliver a smart, energy-efficient ventilation solution designed to simplify compliance with building regulations while ensuring fresh air and environmental comfort that adapts seamlessly to your lifestyle.

CHINAFORE

PV1

FEATURES

- 6 models in Ø 100 mm with or without options of humidity control, timer, pull rope
- Quiet ventilation for bathrooms, kitchen, and other utility rooms
- High airflow rate of 100 m³/h with low operational sound level
- IP rating: IPX4
- Insulation class: II 



Intelligent humidity control

The fan automatically activates when the indoor relative humidity level is above the pre-set threshold.

Codable Timer

The timer allows the fan to operate for a customizable pre-set duration after being turned on or triggered by humidity sensor. This ensures effective ventilation by removing excess humidity and odors while preventing unnecessary energy consumption, as the fan automatically shuts off after the set time.

PV1-M

Manual trigger with wall switch

PV1-R

Manual trigger with pull rope switch

PV1-H

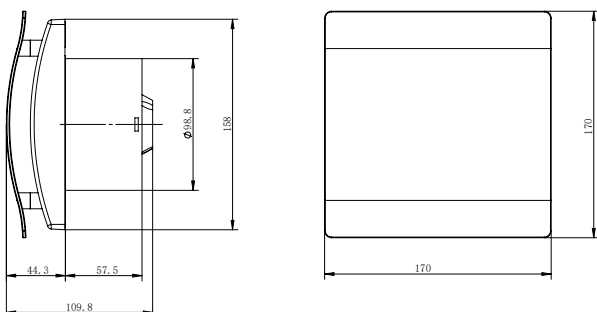
Manual trigger + humidity threshold trigger (60-90%RH) + adjustable delay on (0-10 min) + adjustable delay off (0-30 min)

PV1-T

Manual trigger + timing trigger adjustable (0-24h) + delay operation adjustable (0-30 min) + timing operation adjustable (2-30 min)

| | MANUAL CONTROL | INTELLIGENT HUMIDITY CONTROL | CODABLE TIMER | MANUALCONTROL WITH PULL ROPE |
|--------|----------------|------------------------------|---------------|------------------------------|
| PV1-M | ✓ | | | |
| PV1-R | | | | ✓ |
| PV1-H | ✓ | ✓ | | |
| PV1-T | ✓ | | ✓ | |
| PV1-HR | ✓ | ✓ | | ✓ |
| PV1-TR | ✓ | | ✓ | ✓ |

DIMENSION




TECHNICAL DATA

| | |
|------------------|----------------------------------|
| model | PV1 Ø 100 |
| voltage ~50Hz | 220-240V |
| consumption | 13W |
| current | 0.05A |
| max. airflow | 100 m ³ /h (58.8 cfm) |
| max. sound level | 37 dB |
| max temperature | 40C (104F) |
| weight | 0.5 |
| material | ABS |

PV2

FEATURES

- 6 models in Ø 100 mm with or without options of humidity control, timer, pull rope
- Quiet ventilation for bathrooms, kitchen, and other utility rooms
- High airflow rate of 100 m³/h with low operational sound level
- IP rating: IPX4
- Insulation class: II 



Intelligent humidity control

The fan automatically activates when the indoor relative humidity level is above the pre-set threshold.

Codable Timer

The timer allows the fan to operate for a customizable pre-set duration after being turned on or triggered by humidity sensor. This ensures effective ventilation by removing excess humidity and odors while preventing unnecessary energy consumption, as the fan automatically shuts off after the set time.

PV2-M

Manual trigger with wall switch

PV2-R

Manual trigger with pull rope switch

PV2-H

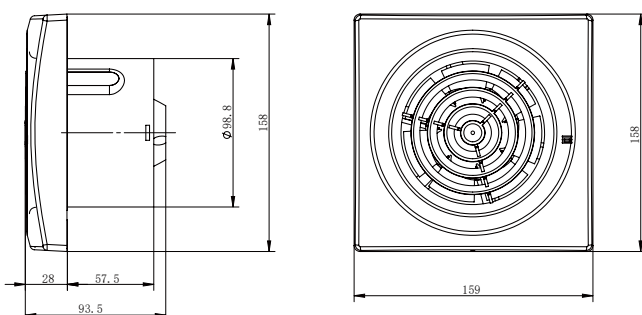
Manual trigger + humidity threshold trigger (60-90%RH) + adjustable delay on (0-10 min) + adjustable delay off (0-30 min)

PV2-T

Manual trigger + timing trigger adjustable (0-24h) + delay operation adjustable (0-30 min) + timing operation adjustable (2-30 min)

| | MANUAL CONTROL | INTELLIGENT HUMIDITY CONTROL | CODABLE TIMER | MANUALCONTROL WITH PULL ROPE |
|--------|----------------|------------------------------|---------------|------------------------------|
| PV2-M | ✓ | | | |
| PV2-R | | | | ✓ |
| PV2-H | ✓ | ✓ | | |
| PV2-T | ✓ | | ✓ | |
| PV2-HR | ✓ | ✓ | | ✓ |
| PV2-TR | ✓ | | ✓ | ✓ |

DIMENSION




TECHNICAL DATA

| | |
|------------------|----------------------------------|
| model | PV2 Ø 100 |
| voltage ~50Hz | 220-240V |
| consumption | 13W |
| current | 0.05A |
| max. airflow | 100 m ³ /h (58.8 cfm) |
| max. sound level | 37 dB |
| max temperature | 40C (104F) |
| weight | 0.5 |
| material | ABS |

PV3

FEATURES

- 6 models in Ø 100 mm with or without options of humidity control, timer, pull rope
- Quiet ventilation for bathrooms, kitchen, and other utility rooms
- High airflow rate of 100 m³/h with low operational sound level
- IP rating: IPX4
- Insulation class: II 



Intelligent humidity control

The fan automatically activates when the indoor relative humidity level is above the pre-set threshold.

Codable Timer

The timer allows the fan to operate for a customizable pre-set duration after being turned on or triggered by humidity sensor. This ensures effective ventilation by removing excess humidity and odors while preventing unnecessary energy consumption, as the fan automatically shuts off after the set time.

PV3-M

Manual trigger with wall switch

PV3-R

Manual trigger with pull rope switch

PV3-H

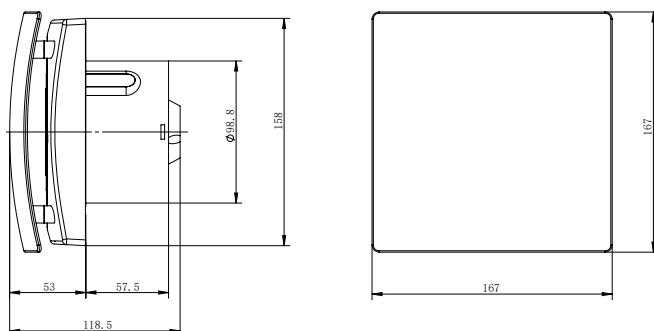
Manual trigger + humidity threshold trigger (60-90%RH) + adjustable delay on (0-10 min) + adjustable delay off (0-30 min)

PV3-T

Manual trigger + timing trigger adjustable (0-24h) + delay operation adjustable (0-30 min) + timing operation adjustable (2-30 min)

| | MANUAL CONTROL | INTELLIGENT HUMIDITY CONTROL | CODABLE TIMER | MANUALCONTROL WITH PULL ROPE |
|--------|----------------|------------------------------|---------------|------------------------------|
| PV3-M | ✓ | | | |
| PV3-R | | | | ✓ |
| PV3-H | ✓ | ✓ | | |
| PV3-T | ✓ | | ✓ | |
| PV3-HR | ✓ | ✓ | | ✓ |
| PV3-TR | ✓ | | ✓ | ✓ |

DIMENSION




TECHNICAL DATA

| | |
|------------------|----------------------------------|
| model | PV3 Ø 100 |
| voltage ~50Hz | 220-240V |
| consumption | 13W |
| current | 0.05A |
| max. airflow | 100 m ³ /h (58.8 cfm) |
| max. sound level | 37 dB |
| max temperature | 40C (104F) |
| weight | 0.5 |
| material | ABS |

CV1



FEATURES

- 4 models in Ø 100 mm with or without options of humidity control, touchscreen, do-not-disturb mode
- With DC motor, CV1 is capable of continuous operation, with whisper-quiet sound offering fresh air and environmental comfort.
- Ultra-efficient and silent ventilation for bathrooms, kitchen, and utility rooms.
- Intelligent functionalities designed for optimal human-centered living experience.
- IP ratings: IPX4
- Insulation class: II 

Intelligent humidity control

The fan automatically activates when the indoor relative humidity level is above the pre-set threshold, switching from low speed operation to high speed operation.

Smart touchscreen

The touchscreen allows precise control with features like 4-speed airflow adjustment, timer settings, and a humidity sensor for automatic operation. The easy access of control enhance convenience and customized preferences.

Automatic delay

The automatic delay function adjusts its operation time based on the triggering duration. This feature optimizes fresh air circulation by preventing humidity buildup while enhancing energy efficiency through targeted, need-based operation.

CV1-M

manual trigger

CV1-H

manual triggered with humidity threshold trigger (60-90%RH) + automatic delay turn-on and turn-off

CV1-HS

manual triggered with humidity threshold trigger (60-90%RH) + automatic delay turn-on and turn-off + touchscreen control

CV1-HD

manual triggered with humidity threshold trigger (60-90%RH) + automatic switch delay turn on and turn-off + touchscreen control + automatic do-not-disturb mode

| | MANUAL CONTROL | INTELLIGENT HUMIDITY CONTROL | AUTOMATIC DELAY | SMART TOUCHSCREEN | AUTOMATIC DO-NOT-DISTURB MODE |
|--------|----------------|------------------------------|-----------------|-------------------|-------------------------------|
| CV1-M | ✓ | | | | |
| CV1-H | ✓ | ✓ | ✓ | | |
| CV3-HS | ✓ | ✓ | ✓ | ✓ | |
| CV3-HD | ✓ | ✓ | ✓ | ✓ | ✓ |

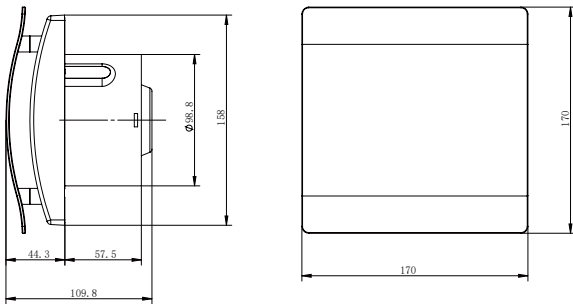
TECHNICAL DATA

| Models | V~50Hz | W | | A | RPM | MAX AIRFLOW(m3/h) | | dB(A) | | MAX °C | KG |
|-----------|---------|-----|-----|-------|------|-------------------|-----|-------|-----|--------|-----|
| | | min | max | | | min | max | min | max | | |
| CV1 Ø 100 | 220-240 | 0.7 | 3.2 | 0.012 | 2700 | 30 | 120 | 9 | 38 | 40 | 0.5 |

| LOW SPEED | HIGH SPEED |
|--|--|
| 30m ³ /h (17.6 cfm) — 0.7W | 60m ³ /h (35.3 cfm) — 1.8W |
| 40m ³ /h (23.5 cfm) — 0.90W | 80m ³ /h (47.1 cfm) — 2.0W |
| 50m ³ /h (29.4 cfm) — 0.95W | 100m ³ /h (58.8 cfm) — 2.6W |
| 60m ³ /h (35.3 cfm) — 1.0W | 120m ³ /h (70.6 cfm) — 3.2W |

| TRIGGERING TIME | |
|-----------------|-----------------------------|
| 0-5 min: | (Delayed operation) 0 min. |
| 5-10 min: | (Delayed operation) 5 min. |
| 10-15 min: | (Delayed operation) 10 min. |
| 15-20 min: | (Delayed operation) 15 min. |
| >20 min: | (Delayed operation) 20 min. |

DIMENSION



CV2



FEATURES

- 4 models in Ø 100 mm with or without options of humidity control, touchscreen, do-not-disturb mode
- With DC motor, CV1 is capable of continuous operation, with whisper-quiet sound offering fresh air and environmental comfort.
- Ultra-efficient and silent ventilation for bathrooms, kitchen, and utility rooms.
- Intelligent functionalities designed for optimal human-centered living experience.
- IP ratings: IPX4
- Insulation class: II

Intelligent humidity control

The fan automatically activates when the indoor relative humidity level is above the pre-set threshold, switching from low speed operation to high speed operation.

Smart touchscreen

The touchscreen allows precise control with features like 4-speed airflow adjustment, timer settings, and a humidity sensor for automatic operation. The easy access of control enhance convenience and customized preferences.

Automatic delay

The automatic delay function adjusts its operation time based on the triggering duration. This feature optimizes fresh air circulation by preventing humidity buildup while enhancing energy efficiency through targeted, need-based operation.

CV2-M

manual trigger

CV2-H

manual triggered with humidity threshold trigger (60-90%RH) + automatic delay turn-on and turn-off

CV2-HS

manual triggered with humidity threshold trigger (60-90%RH) + automatic delay turn-on and turn-off + touchscreen control

CV2-HD

manual triggered with humidity threshold trigger (60-90%RH) + automatic switch delay turn-on and turn-off + touchscreen control + automatic do-not-disturb mode

| | MANUAL CONTROL | INTELLIGENT HUMIDITY CONTROL | AUTOMATIC DELAY | SMART TOUCHSCREEN | AUTOMATIC DO-NOT-DISTURB MODE |
|--------|----------------|------------------------------|-----------------|-------------------|-------------------------------|
| CV2-M | ✓ | | | | |
| CV2-H | ✓ | ✓ | ✓ | | |
| CV3-HS | ✓ | ✓ | ✓ | ✓ | |
| CV3-HD | ✓ | ✓ | ✓ | ✓ | ✓ |

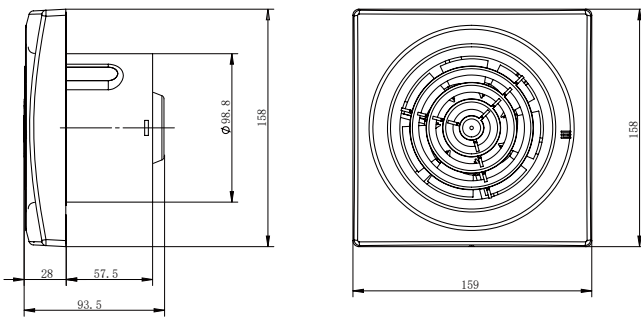
TECHNICAL DATA

| Models | V~50Hz | W | | A | RPM | MAX AIRFLOW(m ³ /h) | | dB(A) | | MAX °C | KG |
|-----------|---------|-----|-----|-------|------|--------------------------------|-----|-------|-----|--------|-----|
| | | min | max | | | min | max | min | max | | |
| CV2 Ø 100 | 220-240 | 0.7 | 3.2 | 0.012 | 2700 | 30 | 120 | 9 | 38 | 40 | 0.5 |

| LOW SPEED | HIGH SPEED |
|--|--|
| 30m ³ /h (17.6 cfm) — 0.7W | 60m ³ /h (35.3 cfm) — 1.8W |
| 40m ³ /h (23.5 cfm) — 0.90W | 80m ³ /h (47.1 cfm) — 2.0W |
| 50m ³ /h (29.4 cfm) — 0.95W | 100m ³ /h (58.8 cfm) — 2.6W |
| 60m ³ /h (35.3 cfm) — 1.0W | 120m ³ /h (70.6 cfm) — 3.2W |

| TRIGGERING TIME | |
|-----------------|-----------------------------|
| 0-5 min: | (Delayed operation) 0 min. |
| 5-10 min: | (Delayed operation) 5 min. |
| 10-15 min: | (Delayed operation) 10 min. |
| 15-20 min: | (Delayed operation) 15 min. |
| >20 min: | (Delayed operation) 20 min. |

DIMENSIONS



CV3



FEATURES

- 4 models in Ø 100 mm with or without options of humidity control, touchscreen, do-not-disturb mode
- With DC motor, CV1 is capable of continuous operation, with whisper-quiet sound offering fresh air and environmental comfort.
- Ultra-efficient and silent ventilation for bathrooms, kitchen, and utility rooms.
- Intelligent functionalities designed for optimal human-centered living experience.
- IP ratings: IPX4
- Insulation class: II

Intelligent humidity control

The fan automatically activates when the indoor relative humidity level is above the pre-set threshold, switching from low speed operation to high speed operation.

Smart touchscreen

The touchscreen allows precise control with features like 4-speed airflow adjustment, timer settings, and a humidity sensor for automatic operation. The easy access of control enhance convenience and customized preferences.

Automatic delay

The automatic delay function adjusts its operation time based on the triggering duration. This feature optimizes fresh air circulation by preventing humidity buildup while enhancing energy efficiency through targeted, need-based operation.

CV3-M

manual trigger

CV3-H

manual triggered with humidity threshold trigger (60-90%RH) + automatic delay turn-on and turn-off

CV3-HS

manual triggered with humidity threshold trigger (60-90%RH) + automatic delay turn-on and turn-off + touchscreen control

CV3-HD

manual triggered with humidity threshold trigger (60-90%RH) + automatic switch delay turn-on and turn-off + touchscreen control + automatic do-not-disturb mode

| | MANUAL CONTROL | INTELLIGENT HUMIDITY CONTROL | AUTOMATIC DELAY | SMART TOUCHSCREEN | AUTOMATIC DO-NOT-DISTURB MODE |
|--------|----------------|------------------------------|-----------------|-------------------|-------------------------------|
| CV3-M | ✓ | | | | |
| CV3-H | ✓ | ✓ | ✓ | | |
| CV3-HS | ✓ | ✓ | ✓ | ✓ | |
| CV3-HD | ✓ | ✓ | ✓ | ✓ | ✓ |

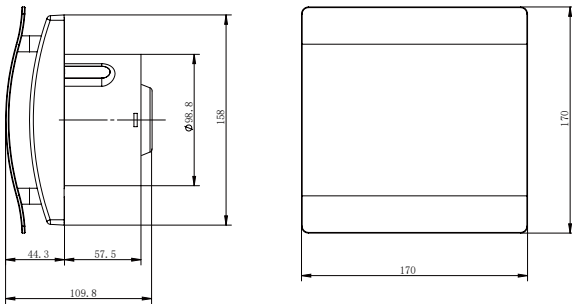
TECHNICAL DATA

| Models | V~50Hz | W | | A | RPM | MAX AIRFLOW(m ³ /h) | | dB(A) | | MAX °C | KG |
|-----------|---------|-----|-----|-------|------|--------------------------------|-----|-------|-----|--------|-----|
| | | min | max | | | min | max | min | max | | |
| CV3 Ø 100 | 220-240 | 0.7 | 3.2 | 0.012 | 2700 | 30 | 120 | 9 | 38 | 40 | 0.5 |

| LOW SPEED | HIGH SPEED |
|--|--|
| 30m ³ /h (17.6 cfm) — 0.7W | 60m ³ /h (35.3 cfm) — 1.8W |
| 40m ³ /h (23.5 cfm) — 0.90W | 80m ³ /h (47.1 cfm) — 2.0W |
| 50m ³ /h (29.4 cfm) — 0.95W | 100m ³ /h (58.8 cfm) — 2.6W |
| 60m ³ /h (35.3 cfm) — 1.0W | 120m ³ /h (70.6 cfm) — 3.2W |

| TRIGGERING TIME | |
|-----------------|-----------------------------|
| 0-5 min: | (Delayed operation) 0 min. |
| 5-10 min: | (Delayed operation) 5 min. |
| 10-15 min: | (Delayed operation) 10 min. |
| 15-20 min: | (Delayed operation) 15 min. |
| >20 min: | (Delayed operation) 20 min. |

DIMENSIONS





ADDRESS

Add: No.499 Hongcan Road, Hongken Xiaoshan District, Hangzhou, China
Factory: No. 4555, Hongye Road, Xiaoshun Town, Jindong District, Jinhua City, Zhejiang Province



TELEPHONE

Contact: 0086-571-81603539
Whatsapp: 0086 15157112235
Wechat: chinafore | refcenter



WEBSITES

Website: www.chinafore.com | www.refcenter.cn
Email: chinafore@chinafore.com

CHINAFORE



©2024 ALL RIGHTS RESERVED.